

# SIGENERGY SIGENSTOR

## SYSTEM OVERVIEW



## SIGENERGY SIGENSTOR

Powerful storage with built-in resilience

The SigenStor is a modular battery storage system designed to grow with your household's energy use. Ideal for homes with lower initial consumption, its stackable 6kWh and 9kWh modules can be mixed as demand increases. The AI-driven software optimises charging and discharging to smart tariffs, solar availability and daily routines, while the AI-powered app makes it easy to fine-tune your energy management. With full AC/DC compatibility, SigenStor offers a flexible solution that can be integrated with existing PV systems without affecting FIT tariffs. For added reassurance, it also delivers seamless whole-home or essential-load backup with a 0ms switchover when paired with the Sigen Energy Gateway.



**Modular, stackable design:** Mix-and-match 6kWh & 9kWh batteries as needed.



**Seamless backup capability:** Whole-home backup with 0ms switchover (with a Gateway).



**Intelligent learning:** Adapts to smart tariffs and patterns of use, optimising performance.

## INVERTERS

The SigenStor Energy Controller comes in a range of sizes to suit different homes – from smaller units for modest PV systems to larger models that support bigger arrays.

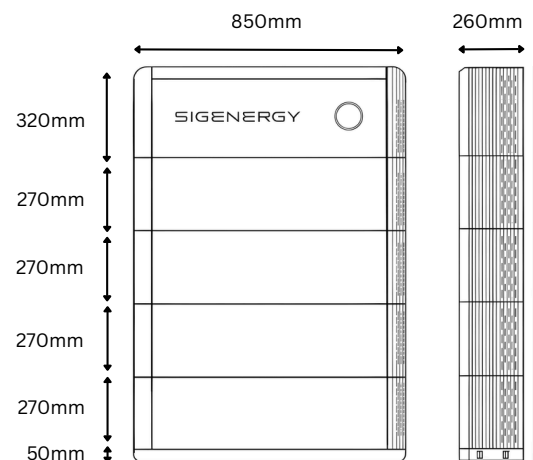
Larger inverters also include more MPPTs, which determine how many roof areas or arrays can be managed independently, for optimised generation across different panel orientations and areas of shading.

### SINGLE PHASE

- > **2 MPPTs:** 3.6kW/5kW/6kW
- > **3 MPPTs:** 8kW
- > **4 MPPTs:** 12kW, 10kW

### THREE PHASE

- > **3 MPPTs:** 10kW/12kW/15kW/17kW
- > **4 MPPTs:** 20kW, 25kW



# BACKUP GATEWAYS



Adding a Sigen Energy Gateway enables whole-home or essential-load backup with instant switchover (0ms) during outages, for a seamless, uninterrupted power supply. The single-phase HomePro comes with a 5-year warranty (with certain internal components limited to 2 years), and the three-phase C60-2 comes with a 2-year warranty – both of which can be extended by 5 years.

- > **HomePro, Single-Phase:** 450w x 695h x 177d (mm)
- > **C60-2, Three-Phase:** 510w x 795h x 173d (mm)

## SCALABILITY

With interchangeable 6kWh and 9kWh modules, it's easy to expand your storage as demand increases, and the compact vertical design keeps upgrades flexible and cost-effective. The SigenStor can be wall-mounted or floor-standing and is installed with an inverter, which can support up to six batteries in a stack, giving up to 54kWh storage.



BATTERY FEATURE	6KWH BATTERY	9KWH BATTERY	WHY IT MATTERS
Total capacity / usable capacity	6.02kWh / 5.84kWh	9.04kWh / 8.76kWh	Reliable storage for everyday evening consumption – with the larger module supporting longer runtimes and higher household demand.
Ingress rating	IP66	IP66	Suitable for indoor or sheltered outdoor installs; providing solid protection against dust and water.
Max. charge / discharge	Up to 3kW per battery	Up to 4.6kW per battery	The system will charge / discharge at up to 50% of the total capacity of all stacked batteries – to a maximum of the inverter's rated power.
Peak charge / discharge	4.5kW	6.9kW	Allows high-startup appliances to run without tripping the system – with the larger module supporting up to 6.9 kW for appliances with higher startup loads.
Single / three-phase compatibility	Compatible with both.	Compatible with both.	Suitable for a wide range of properties – from standard single-phase homes to larger three-phase sites.
Manufacturer's warranty	10 years	10 years	10-years (battery and inverter), extendable to 15 years. Some vulnerable components limited to 2 years' cover.

